

MATERIALS:
 Housing: Nylon 66, UL-94V-0 rated
 Insert: PPS, UL-94V-0 rated
 Crimp contacts: Brass, Gold plated

MECHANICAL SPECIFICATIONS:
 Coupling type: Screw type
 Contact termination: Crimp
 Cable O.D. range: 1 = 4.5 ~ 7mm
 2 = 7 ~ 12mm
 Mating cycles: >500

ENVIRONMENTAL SPECIFICATIONS:
 IP rating: IP68
 Temperature range: -25°C ~ +85°C

RoHS
COMPLIANT

ORDERING CODE:
 PD-SP2111-PXX3X

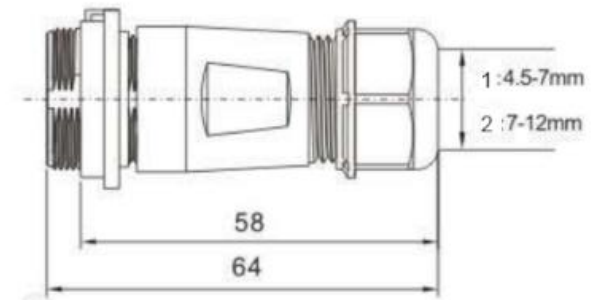
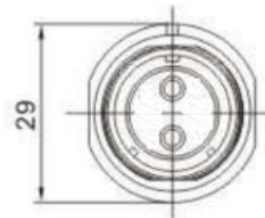
Cap
 C = with cap
 N = without cap

Cable O.D.
 1 = 4.5mm ~ 7mm
 2 = 7mm ~ 12mm

Number of contacts (from chart)

**NOTE: CRIMP CONTACTS AND TOOLS MUST BE ORDERED SEPARATELY
 (SEE SHEET 2)**

Number of contact	2	3	5	7	8
Male contact face view					
Rated current (A)	25A	25A	10A	10A	5A
Contact diameter	∅ 2.5×2	∅ 2.5×3	∅ 1.5×5	∅ 1.5×7	∅ 1×8
Rated voltage(AC.V)	500V	500V	500V	500V	500V
Test voltage(AC.V)1 min	1500V	1500V	1500V	1500V	1500V
Contact resistance mΩ	1	1	2.5	2.5	5
Insulation resistance mΩ	2000	2000	2000	2000	2000



REVISIONS		CHK	CHKX	APPR
REV	DATE	CHANGE	ADD SHEET 2	PB
A	11/11/16			

TOLERANCE UNLESS OTHERWISE SPECIFIED	
X	± 1
X.X	± 0.4
X.XX	± 0.13

DRAWN BY: PB	DATE: 4/14/16
CHECK BY:	DATE:
APPR BY:	DATE:

Power Dynamics, Inc.

Phone: 973 560-0019 Whippany, New Jersey Fax: 973 560-0076

PART: WATERPROOF MALE IN-LINE CABLE CONNECTOR
 IP68 RATED; SIZE 21; CRIMP CONTACTS; SCREW TYPE

PART #:	PD-SP2111-PXX3X	SHEET	1 of 2
SIZE:	A	ALL DIMENSIONS FOR REFERENCE ONLY DIMENSIONS ARE IN MILLIMETERS	REV: A
SCALE:	NTS		

6

5

4

3

2

1

25A MALE CRIMP CONTACT (FOR 2 AND 3 CONTACT MALE CONNECTOR)				
P/N	WIRE SIZE	STRIP LENGTH	CRIMP TOOL P/N	REMOVAL TOOL P/N
PD-CT25A-18-M	0.75 - 1.0mm ² [AWG 18]	8mm	PD-CT0.14/4	PD-RT-2.5
PD-CT25A-16-M	1.5mm ² [AWG 16]	8mm	PD-CT0.14/4	PD-RT-2.5
PD-CT25A-14-M	2.5mm ² [AWG 16]	8mm	PD-CT0.14/4	PD-RT-2.5
PD-CT25A-12-M	4.0mm ² [AWG 12]	8mm	PD-CT0.14/4 PD-CT4/10	PD-RT-1.5

10A MALE CRIMP CONTACT (FOR 5 AND 7 CONTACT MALE CONNECTOR)				
P/N	WIRE SIZE	STRIP LENGTH	CRIMP TOOL P/N	REMOVAL TOOL P/N
PD-CT10A-26-M	0.14 - 0.37mm ² [AWG 26 - 22]	8mm	PD-CT0.14/4	PD-RT-1.5
PD-CT10A-20-M	0.5mm ² [AWG 20]	8mm	PD-CT0.14/4	PD-RT-1.5
PD-CT10A-18-M	0.75 - 1.0mm ² [AWG 18]	8mm	PD-CT0.14/4	PD-RT-1.5
PD-CT10A-16-M	1.5mm ² [AWG 16]	8mm	PD-CT0.14/4	PD-RT-1.5
PD-CT10A-14-M	0.25mm ² [AWG 14]	8mm	PD-CT0.14/4	PD-RT-1.5

5A MALE CRIMP CONTACT (FOR 8 CONTACT MALE CONNECTOR)				
P/N	WIRE SIZE	STRIP LENGTH	CRIMP TOOL P/N	REMOVAL TOOL P/N
PD-CT5A-M	0.20 - 0.52mm ² [AWG 24 - 20]	5.5mm	PD-CTP20/28	PD-RT-1.0

CRIMP TOOL

P/N	CRIMPING WIRE RANGE
PD-CTP20/28	0.08 - 0.52mm ²
PD-CTP0.14/4	0.14 - 4.0mm ²
PD-CTP4/10	4.0 - 10.0mm ²



CRIMP REMOVAL TOOL

P/N	CRIMP CONTACT TYPE
PD-RT-1.0	5A MALE / FEMALE CRIMP CONTACT
PD-RT-1.5	10A MALE / FEMALE CRIMP CONTACT
PD-RT-2.5	25A MALE / FEMALE CRIMP CONTACT



RoHS
COMPLIANT

TOLERANCE
UNLESS OTHERWISE SPECIFIED
X ± 1
X.X ± 0.4
X.XX ± 0.13

Power Dynamics, Inc.

Phone: 973 560-0019 Whippany, New Jersey Fax: 973 560-0076

PART: WATERPROOF MALE IN-LINE CABLE CONNECTOR
IP68 RATED; SIZE 21; CRIMP CONTACTS; SCREW TYPE

DRAWN BY	PB	DATE:	11/11/16
CHECK BY		DATE:	
APPR BY		DATE:	

PART #: **PD-SP2111-PXX3X**

SHEET
2 of 2

SIZE: **A**
SCALE: **NTS**
ALL DIMENSIONS FOR REFERENCE ONLY
DIMENSIONS ARE IN MILLIMETERS

REV: **A**

REVISIONS
SEE SHEET 1 FOR REVISION

6

5

4

3

2

1